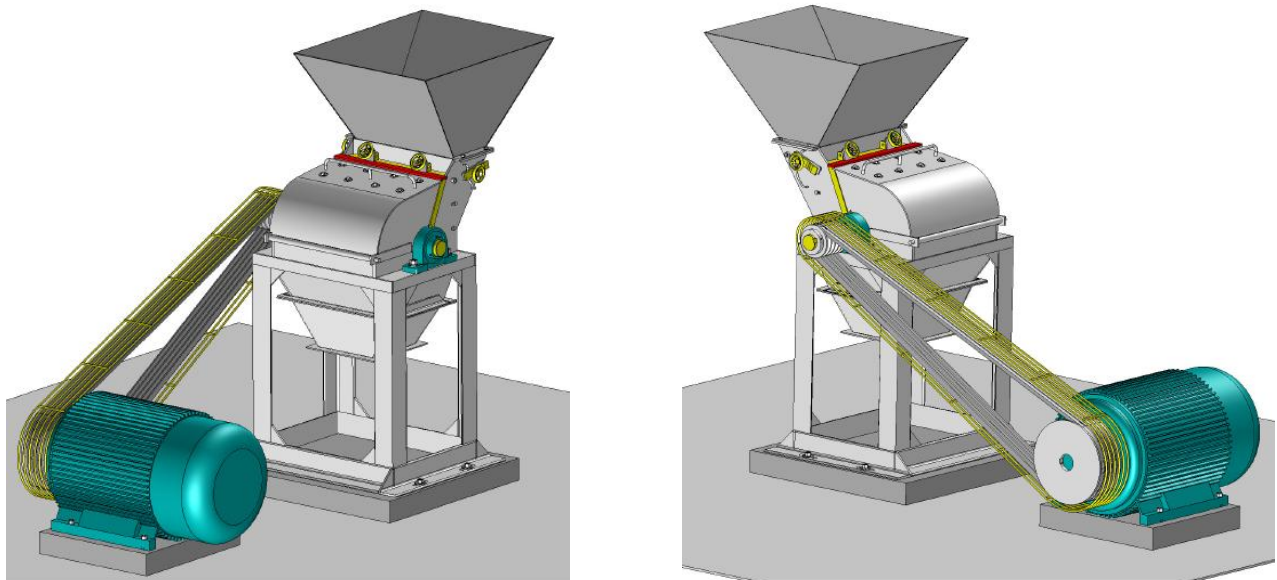


# HUSK CRUSH HAMMER MILL

## FHCM-1000R / 1500R



### FEATURES:

- In the **Husk Crush Hammer Machine**, the motor drives of the rotor rotate at a high speed through the belt, and on the rotor there are series hammers. When the **Husk** gets into the working area of hammers, the rotating hammers with high rotation speed are crushing them, the products which are crushed to meet the required size can be discharged by the outlet and become the final products, the large size products are brought back to the crushing area by the hammers for being re-crushed until they reached the required size.
- Produce the **Husk Bran** from recycle of husk.
- Prime product looks like **Rice Bran**. Mixing **Husk Bran** with **Rice Bran** becomes the food for animal.
- Combination with suction fan to collect prime product for small capacity machine.
- The simple structure of machine.
- Easy to operate machine.
- Hammer made of hardness steel
- Low maintenance costs and one-year parts warranty.

### SPECIFICATIONS:

Model	Input Capacity (kG/hr)	Required power (kW)	Main shaft revolution (rpm)	Outside dimensions LxWxH (mm)			Weight (kG)
FHCM-1000R	700	90	3000	1000	800	1000	500
FHCM-1500R	900	150	3000	1200	1000	1100	600

<p><b>NPT Group</b> H.O: 161/28/21 Binh Tri Dong Street Binh Tan District, HCMC Vietnam.</p> <p>Tel: +848. 4072938 Cell: +8918 183 497 Fax: + 848. 2601256 E-mail: phuctrungnhan@yahoo.com</p>	<p><b>Varesin</b> B.O: Local 13 Corregimiento Pueblo Nuevo Urbanizacion Las Praderas Panama.</p> <p>Tel/Fax: + 224-2575, 392-3575 Tel/Cell: + 6614-1826 Website: www.faricela.com E-mail: ventas@faricela.com</p>	<p><b>Molino Puro Norte</b> A.O: Mz y 1 Lote1 Ciudades de Dios Guadalupe Pacasmayo Peru</p> <p>Tel: + 0051 44-434015 Fax: + 0051 44 434015 Website: www.faricela.com E-mail: engineering@faricela.com</p>
--	---	---